

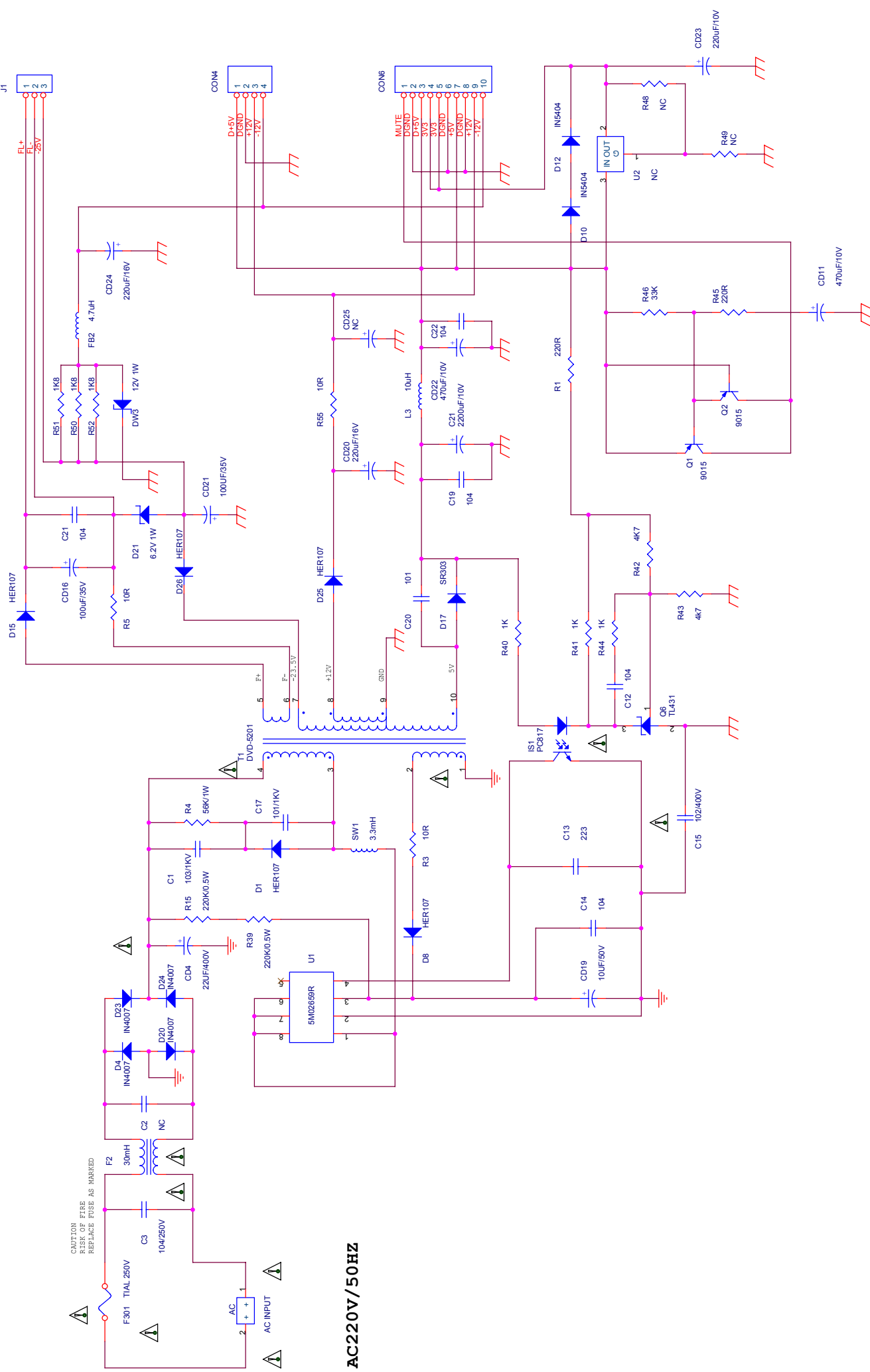


**AKAI**

**DVD PLAYER**

Model:  
DV-P4795KDSM

**SERVICE MANUAL**



J1  
1 FL+  
2 FL-  
3 -25V

CON4  
1 D+5V  
2 DGND  
3 -12V  
4 -12V

CON6  
1 MUTE  
2 GND  
3 +5V  
4 3V3  
5 3V3  
6 DGND  
7 +5V  
8 GND  
9 GND  
10 -12V

# AKAI DV-P4795KDSM

Title	Power Circuit Diagram
Size	A3
Document Number	
Date	Thursday, January 06, 2005
Sheet	1 of 1
Rev	2.01

CAUTION  
RISK OF FIRE  
REPLACE FUSE AS MARKED

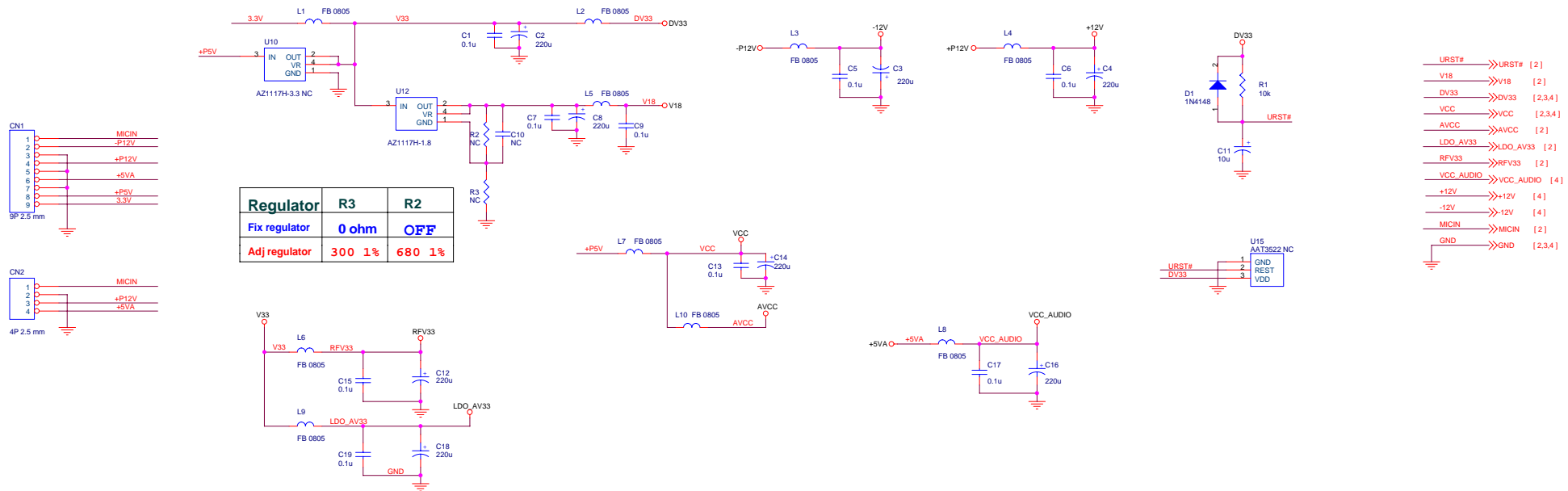
**AC220V/50HZ**

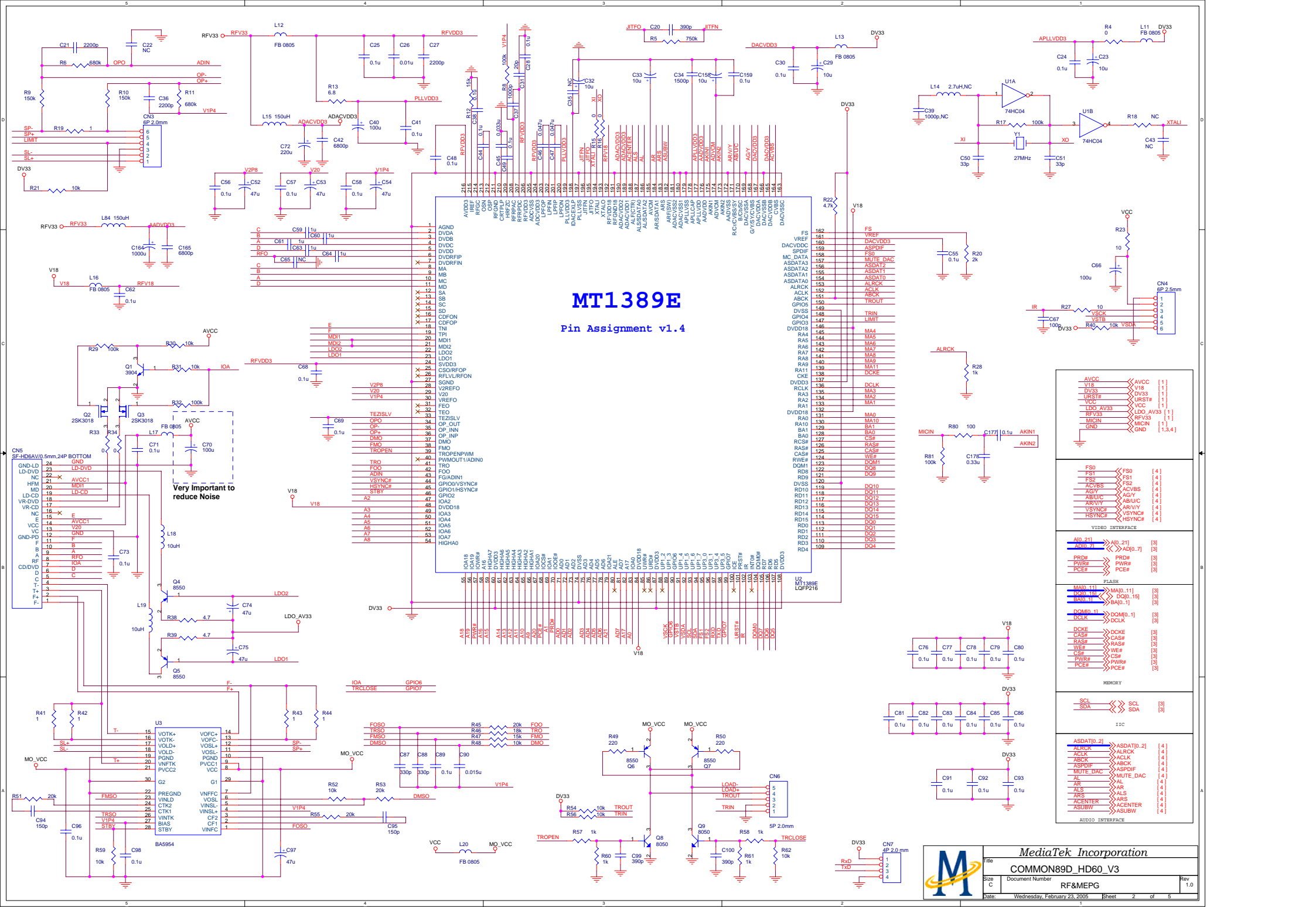
MR89EM6-11.1

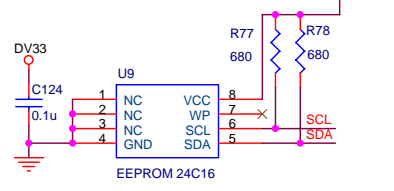
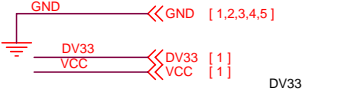
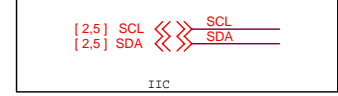
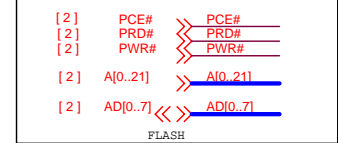
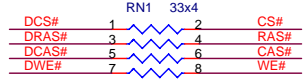
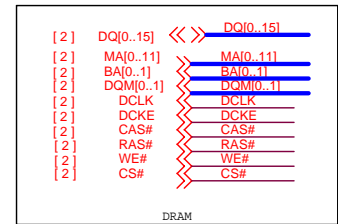
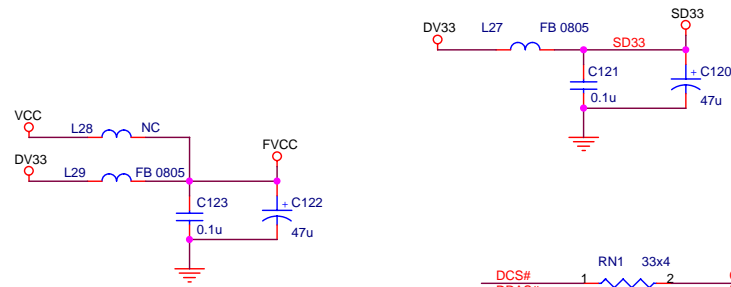
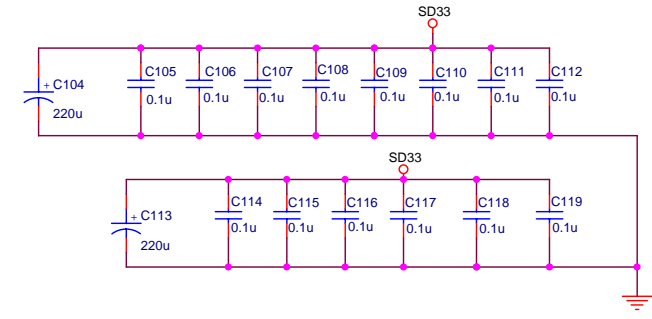
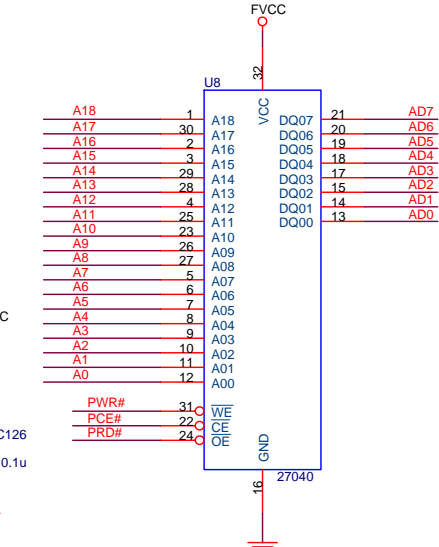
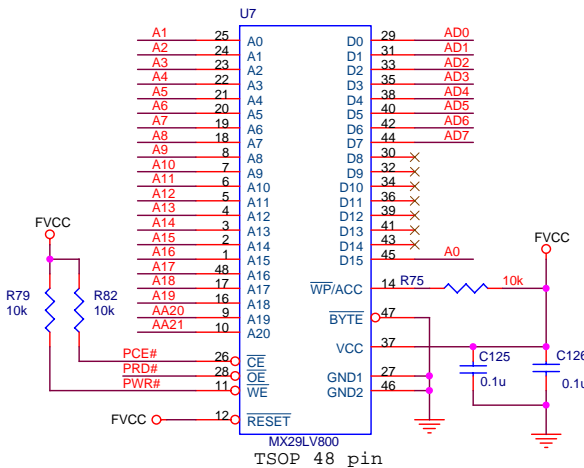
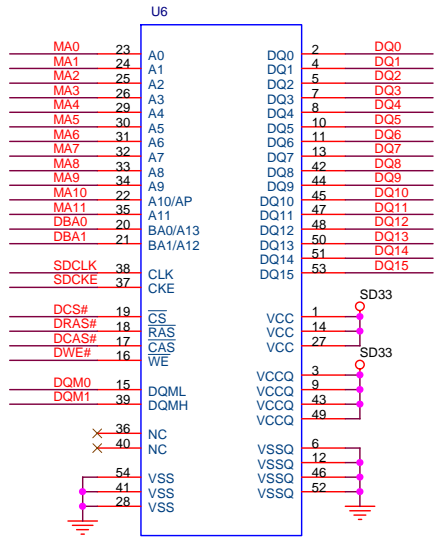
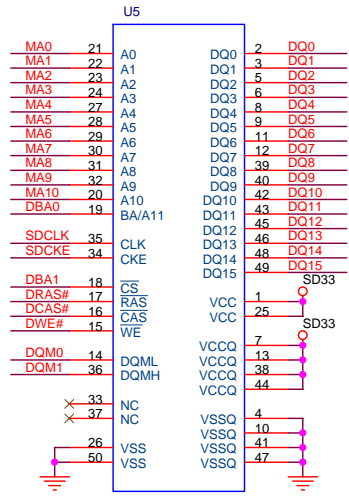
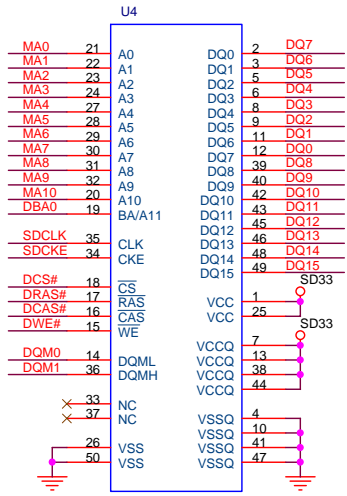
MT1389E DVD Demo Board for SANYO HD60 PUH

- |   |                              |
|---|------------------------------|
| 1 | INDEX & POWER, RESET         |
| 2 | RF / SERVO /MPEG - MT1389D   |
| 3 | MEMORY - SDRAM, FLASH/EEPROM |
| 4 | VIDEO FILTER                 |
| 5 | AUDIO FILTER                 |

NAME	TYPE	DEVICE
VCC	Digital 5V	SUPPLY
DV33	Digital 3.3V	MT1389E
RFV33	Servo 3.3V	MT1389E
LDO_AV33	Laser Diode 3.3V	
AVCC	RF 5V	PICKUP HEADER
V18	Digital 1.8V	MT1389E
SD33	Digital 3.3V	SDRAM
+12V	Audio +12V	OP AMP.
-12V	Audio -12V	OP AMP.
AVDD	Audio 5V	Audio DAC
DVDD	Audio 5V	Audio DAC







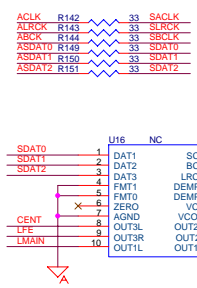
**MediaTek Incorporation**

Title: COMMON89D\_HD60\_V3

Size B Document Number: SDRAM&FLASH Rev 1.0

Date: Monday, February 28, 2005 Sheet 3 of 5

- [1] -12V >> -12V
  - [1] +12V >> +12V
  - [1] VCC >> VCC
  - [1] VCC\_AUDIO >> VCC\_AUDIO
  - [1,2,3,4] GND >> GND
- 
- [2] ASDAT[0..2] >> ASDAT[0..2]
  - [2] ACLK >> ACLK
  - [2] ABCK >> ABCK
  - [2] ALRCK >> ALRCK
  - [2] MUTE\_DAC >> MUTE\_DAC
  - [2] ASPDIF >> ASPDIF
  - [2] AL >> AL
  - [2] AR >> AR
  - [2] ALS >> ALS
  - [2] ARS >> ARS
  - [2] ACENTER >> ACENTER
  - [2] ASUBW >> ASUBW
  - [2] ACVBS >> ACVBS
  - [2] AGY >> AGY
  - [2] ABUC >> ABUC
  - [2] ARVY >> ARVY
  - [2] VSYNC# >> VSYNC#
  - [2] HSYNC# >> HSYNC#
  - [2] FS0 >> FS0
  - [2] FS1 >> FS1
  - [2] FS2 >> FS2



- AR R192 0 RMAIN
- AL R193 0 LMAIN
- ARS R194 0 RREAR
- ALS R195 0 LREAR
- ASUBW R196 0 LFE
- ACENTER R197 0 CENT

